

Pedestrian lowlifter truck 1.8 - 2.5 ton



BT levio

W-series

LWE180

LWE200

LWE250



Pedestrian lowlifter

Specification for lowlifter trucks					LWE180	LWE200	LWE250
Identification	1.1	Manufacturer			Toyota	Toyota	Toyota
	1.2	Model			LWE180	LWE200	LWE250
	1.3	Drive			Electric	Electric	Electric
	1.4	Operator type			Pedestrian	Pedestrian	Pedestrian
	1.5	Load capacity/rated load	Q	kg	1800	2000	2500
	1.6	Load centre	c	mm	600	600	600
	1.8	Load distance, centre of support arm wheel to face of forks (forks raised/lowered)	x	mm	898/955	898/955	898/955
	1.9	Wheelbase (forks raised/lowered)	y	mm	1287/1344	1287/1344	1287/1344
Weight	2.1	Service weight including battery		kg	507	512	522
	2.2	Axle load, with load, drive/castor/fork wheel		kg	760/150/1435	815/150/1580	950/150/1945
	2.3	Axle load, without load, drive/castor/fork wheel		kg	260/150/135	260/150/135	260/150/135
Wheels	3.1	Drive/castor/fork wheel			Polyurethane	Polyurethane	Polyurethane
	3.2	Wheel size, front		mm	Ø230x70	Ø230x70	Ø230x70
	3.3	Wheel size, rear		mm	Ø85x75	Ø85x75	Ø85x75
	3.4	Additional wheels (dimensions)		mm	Ø125x50	Ø125x50	Ø125x50
	3.5	Wheels, number front/rear (x = driven wheels)			1x+ 2/2 or 4	1x+ 2/2 or 4	1x+ 2/4
	3.6	Track width, front	b ₁₀	mm	430	430	430
	3.7	Track width, rear	b ₁₁	mm	370	370	370
Dimensions	4.4	Lift	h ₃	mm	120	120	120
		Lift height	h ₂₃	mm	205	205	205
	4.8	Stand height (optional platform)	h ₇	mm	—	150	—
	4.9	Height of tiller in drive position, min./max.	h ₁₄	mm	865/1235	865/1235	865/1235
	4.15	Height, fork lowered	h ₁₃	mm	85	85	85
	4.19	Overall length	l ₁	mm	1688	1688	1688
	4.20	Length to face of forks	l ₂	mm	538	538	538
	4.21	Overall width	b ₁	mm	726	726	726
	4.22	Fork dimensions	s/e/l	mm	78/180/1150 *)	78/180/1150 *)	78/180/1150 *)
	4.25	Width over forks	b ₅	mm	550 *)	550 *)	550 *)
	4.32	Ground clearance, centre of wheelbase	m ₂	mm	21	21	21
	4.34.1	Aisle width for pallets 1000x1200 crossways	A _{st}	mm	2265	2265	2265
	4.34.2	Aisle width for pallets 800x1200 lengthways	A _{st}	mm	2157	2157	2157
4.35	Turning radius	W _B	mm	1456	1456	1456	
Performance data	5.1	Travel speed, with/without load		km/h	6/6	6/6	6/6
	5.2	Lift speed, with/without load		m/s	0,04/0,05	0,06/0,09	0,05/0,09
	5.3	Lowering speed, with/without load		m/s	0,09/0,08	0,09/0,08	0,09/0,08
	5.8	Max. gradeability, with/without load ²⁾		%	9/18 ¹⁾	9/18 ¹⁾	8/18 ¹⁾
	5.10	Service brake			Electromagnetic	Electromagnetic	Electromagnetic
Electric motor	6.1	Drive motor rating S2 60 min		kW	1,0	1,5	1,5
	6.2	Lift motor rating at S3 15%		kW	1,0 ²⁾	1,4 ²⁾	1,4 ²⁾
	6.4	Battery voltage/nominal capacity K _s		V/Ah	24/225 *)	24/225 *)	24/225 *)
	6.5	Battery weight		kg	192 ¹⁾	192 ¹⁾	192 ¹⁾
	6.6	Energy consumption acc. to VDI cycle		kWh/h	0,31	0,35	0,40
		Energy consumption acc. to EN16796:2016		kWh/h	0,28	0,33	0,37
	6.7	Turnover output		t/h	116,1	130	161,8
	6.8	Energy consumption at turnover output		kWh/h	0,74	1,33	1,48
Others	8.1	Type of drive control			Variable AC	Variable AC	Variable AC

¹⁾ Measured according to company standard

²⁾ S3 10%

*) Further alternatives are available and will produce other values.

Data is based on standard configurations: Medium battery compartment.

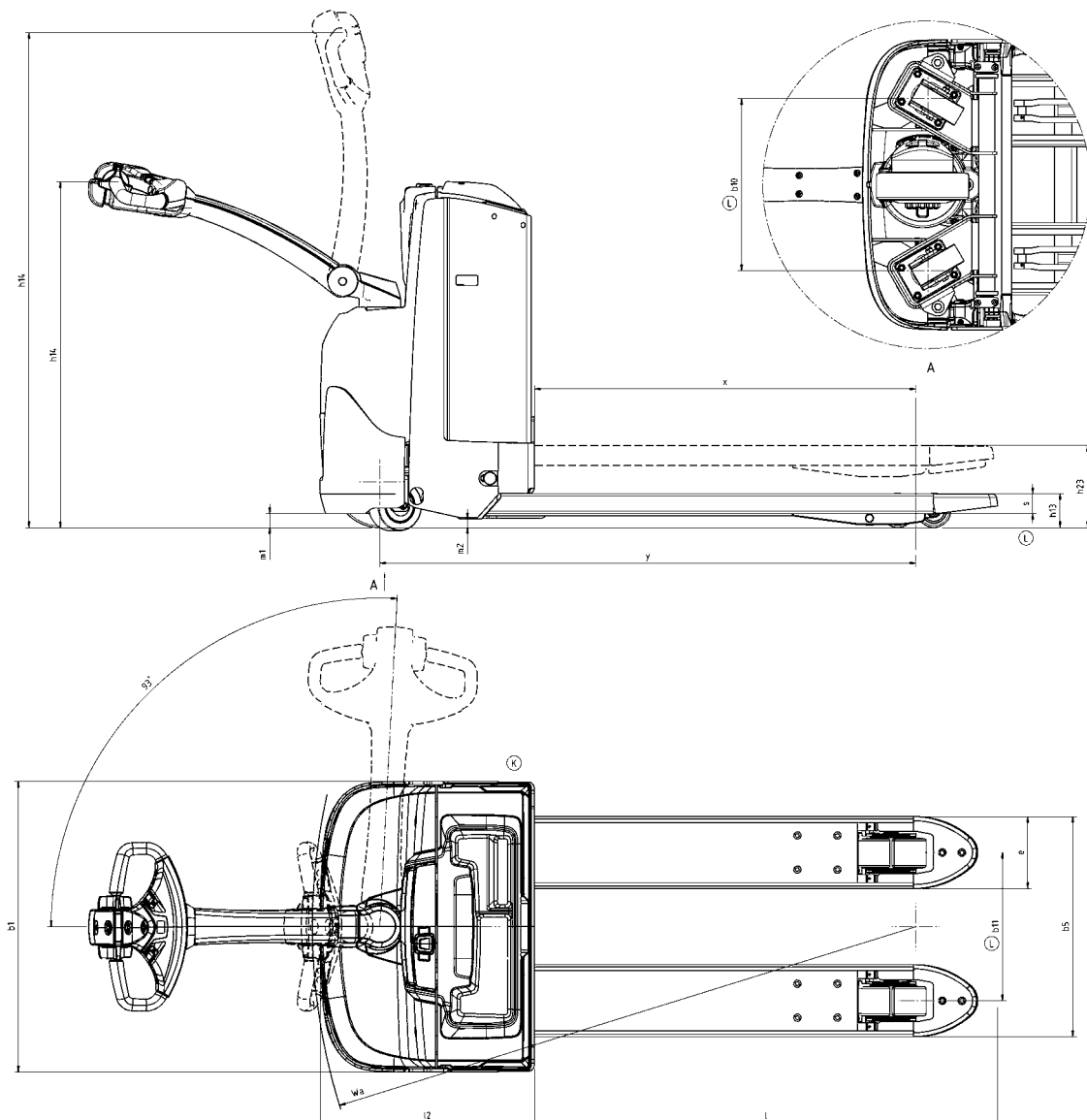
Truck performance and dimensions are nominal and subject to tolerances.

Toyota Material Handling products and specifications are subject to change without notice.

Battery dependent dimensions

Dimensions		Battery type		LWE180, LWE200, LWE250			
				Lead/Acid - Lift out		Lead/Acid - Sideways*	Li-ion
		Battery compartment	Medium	Large	Large	Medium	
1.9	Wheelbase, forks raised/lowered	Y	mm	1287/1344	1337/1394	1337/1394	1287/1344
2.1	Service weight including battery		kg	507, 512, 522	573, 578, 583	-, 551, 556	386, 391, 401
4.19	Overall length						
	without platform	l_1	mm	1688	1738	1738	1688
	with platform up/down	l_1	mm	1773/2163	1823/2213	1823/2213	1773/2163
4.20	Length to face of forks						
	without platform	l_2	mm	538	588	588	538
	with platform up/down	l_2	mm	623/1013	673/1063	673/1063	623/1013
4.34.1	Aisle width for pallets 1000x1200 crossways						
	without platform	A_{st}	mm	1899	1948	1948	1899
	with platform up/down	A_{st}	mm	1984/2384	2033/2433	2033/2433	1984/2384
4.34.2	Aisle width for pallets 800x1200 lengthways						
	without platform	A_{st}	mm	1949	1998	1998	1949
	with platform up/down	A_{st}	mm	2034/2434	2083/2483	2083/2483	2034/2434
4.35	Turning radius, forks raised						
	without platform	W_a	mm	1456	1506	1506	1456
	with platform up/down	W_a	mm	1541/1941	1591/1991	1591/1991	1541/1941
6.4	Battery voltage, nominal capacity	K_s	V/Ah	24/225	24/300	24/260	24/150
6.5	Battery weight, nominal		kg	192	248	221	71
	Battery weight, min.—max.		kg	180 - 235	209 - 285	209 - 285	64 - 78

*Sideways battery exchange - Valid for LWE200/250



Truck features:

- BT Powerdrive System
- BT Castorlink System
- Click-2-creep
- Fingertip controls
- Temporary speed reduction - turtle button (option)
- Electronic braking system
- Electronic speed control
- Operator safety
- Storage compartments
- Automatic switch-off
- Programmable performance
- Easy access for maintenance
- Built in charger (option)
- Toyota I_site: truck fleet management system (option)
- Hydraulic oil for low temperatures
- Flip-up platform for LWE200 (option)

